

# WE'RE THE COMPANY THAT BRINGS YOU CHRIS...



## AND CHRIS BRINGS YOU THE PRISM MEDICAL C-300

Prism Medical's newest extension of the C-Series design of ceiling lifts delivers the utmost in innovation, functionality and affordability. Ceiling lifts are widely regarded as the most effective transfer solution for both institutional and homecare settings. The C-300 ceiling lift has been designed and tested to the most rigorous industry standards. This product offers unparalleled value while compromising nothing with respect to its performance. With its 300 lb. (136 kg) capacity and compact design, this lift will meet the needs of even the most demanding clinical environments. The C-300 is designed for use by a single caregiver offering quiet operation and effortless transfers. The Quick Release mechanism from the trolley furthers the simplicity and serviceability of this state of the art design.

## PRISM MEDICAL

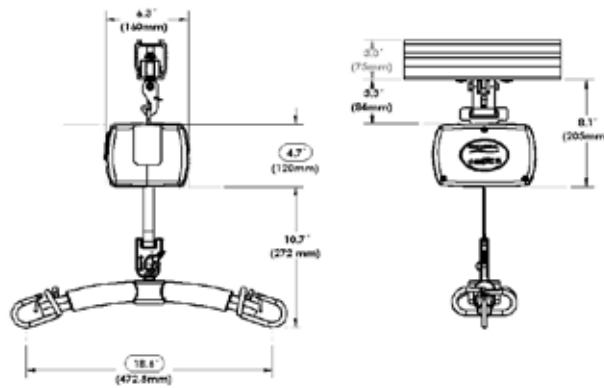
Prism Medical

45 Progress Parkway, Maryland Heights, MO USA 63043 | T 314.692.9135 | 1.866.891.6502

[www.prismmedicalinc.com](http://www.prismmedicalinc.com)

# PRISM MEDICAL C-300

## CEILING LIFT



## WE'RE THE COMPANY THAT BRINGS YOU UNSURPASSED VALUE

The C-300 solves many of the problems that make patient transfer complex and offers a more economical alternative to traditional ceiling lifts. Its innovative design provides complete control for the caregiver. In addition, it offers a wide range of safety options and the unsurpassed reliability that you have come to expect from Prism Medical products.

### PRODUCT HIGHLIGHTS

- Lower cost than traditional ceiling mounted lifts
- Lower weight and simple to remove from track for serviceability
- Electric hand control with simple disconnect and emergency lowering
- Detachable, swivel disconnect option allows for fixed use or portability
- Small, compact design that maximizes lifting height
- Soft start/stop provides comfortable patient transfers
- Audio and visual low battery indicator
- Auto shut off assists in conservation of battery life
- Standby time of over 90 days
- Safe working load meets the needs of 98% of population
- Built in overcharge and overcurrent protection
- Safety mechanisms: overspeed governor, built in load limits, slack strap sensor, and emergency lowering
- Multiple carry bar options to accommodate any client's needs

### TECHNICAL SPECIFICATIONS

- Lift Motor: 24VDC
- Traverse: Manual
- Charger Input: 100-240 VAC, 1.0 Amps
- Charger Output: 29.4 VDC, 1.67 Amps
- Batteries: NiMH - 24 VDC (2 x 12 VDC) 1.8 AH- Custom Battery Pack
- Lift Case: Flame Retardant ABS
- Hand Control: Digital
- Lifting Height: Up to 78" (198 cm)
- Unit Weight: 5.7 lb. (2.6 kgs)
- Maximum Load: 300 lb. (136 kg)
- Dimensions: 7.7" (L) x 4.7" (H) x 6.2" (W)

## PRISM MEDICAL



Prism Medical  
45 Progress Parkway, Maryland Heights, MO USA 63043 | T 314.692.9135 | 1.866.891.6502  
[www.prismmedicalinc.com](http://www.prismmedicalinc.com)

For Your Convenience

